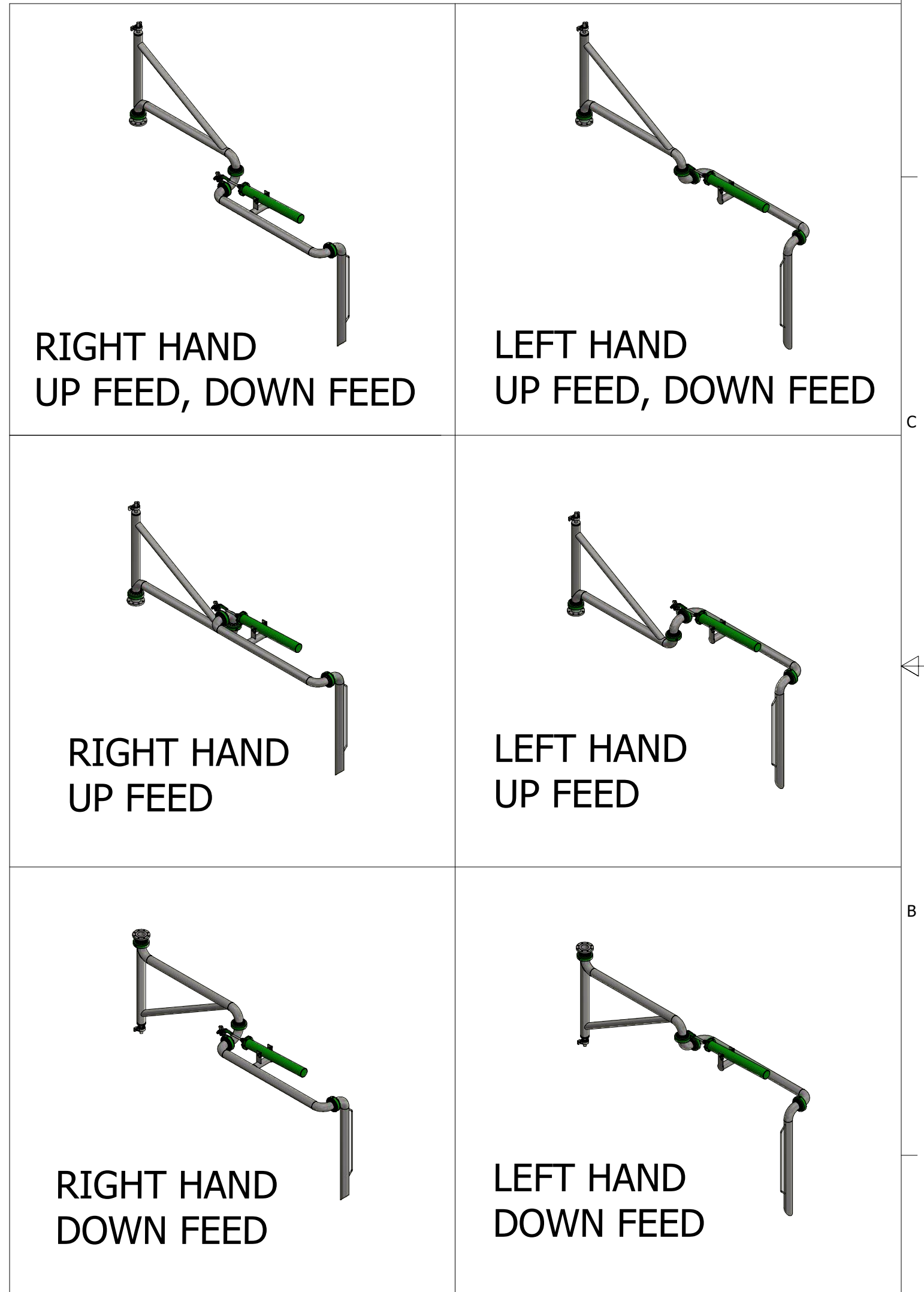
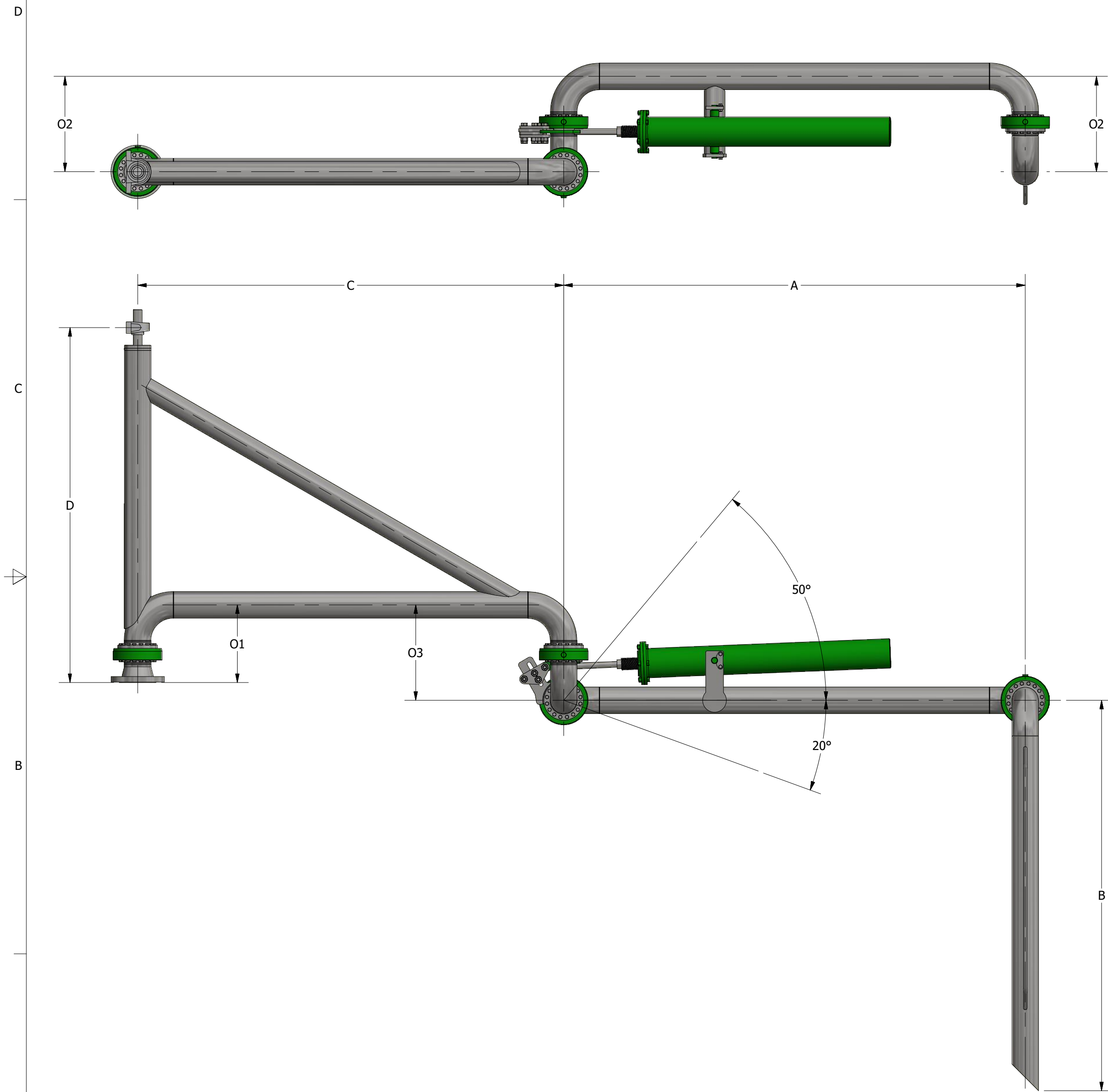


DIMENSION FOR PIPE AND FLANGE	O1	O2	O3
2"	9 5/8"	10 1/8"	10 1/8"
3"	11 3/8"	13 1/8"	13 1/8"
4"	13 1/8"	16 1/8"	16 1/8"
6"	19"	24 1/2"	24 1/2"

REFER TO QUOTE
FOR PARTS AND DIMENSIONS



DRAWN	1/11/2018
CHECKED	
DJW	1/11/2018
STATUS	



QUOTE DRAWING

TITLE
BOOM SUPPORTED TOP LOADING ARM

THIS DOCUMENT CONTAINS CONFIDENTIAL AND PROPRIETARY INFORMATION THAT CANNOT BE REPRODUCED OR DIVULGED, IN WHOLE OR IN PART, WITHOUT WRITTEN AUTHORIZATION FROM EXCEL LOADING SYSTEMS

SIZE	DWG NO	REV
C	TLBS374	-
SCALE	SHEET 1 OF 1	