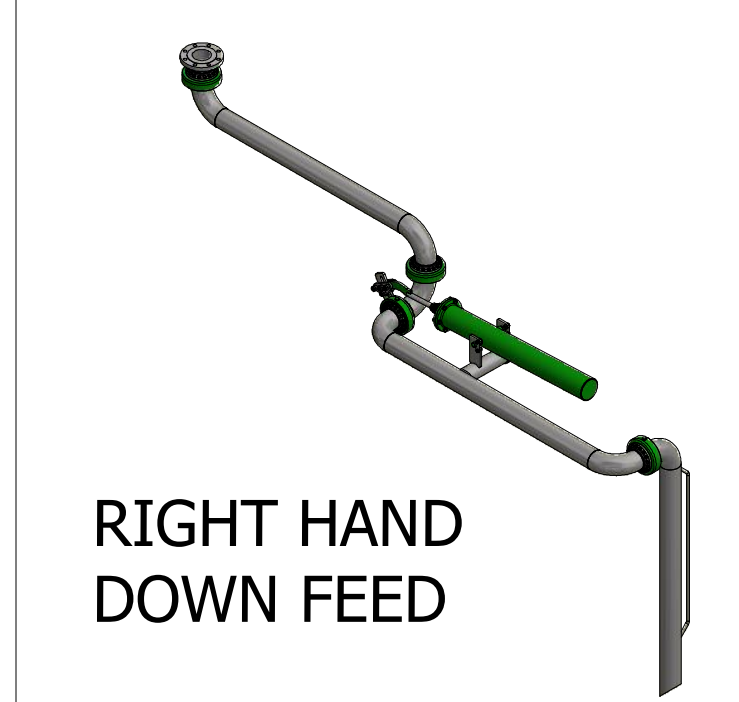
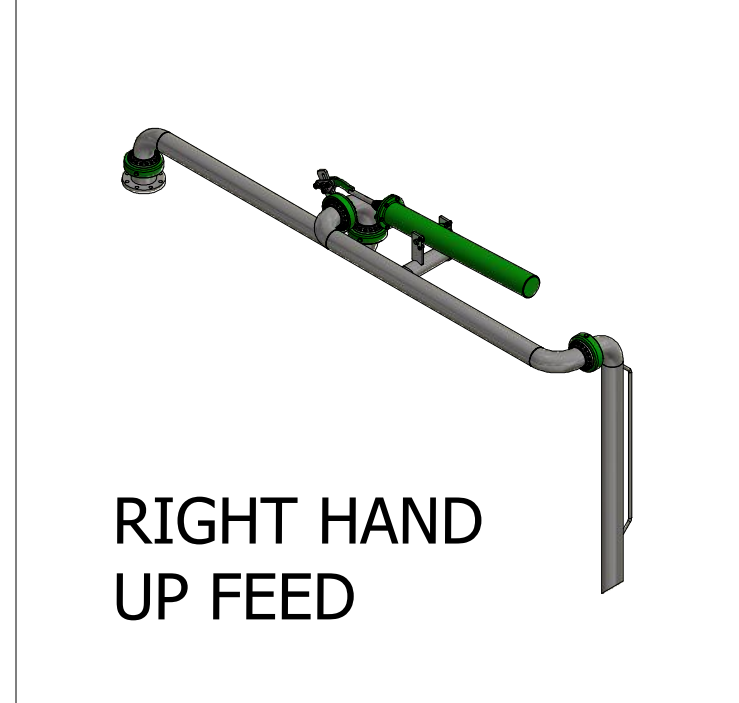
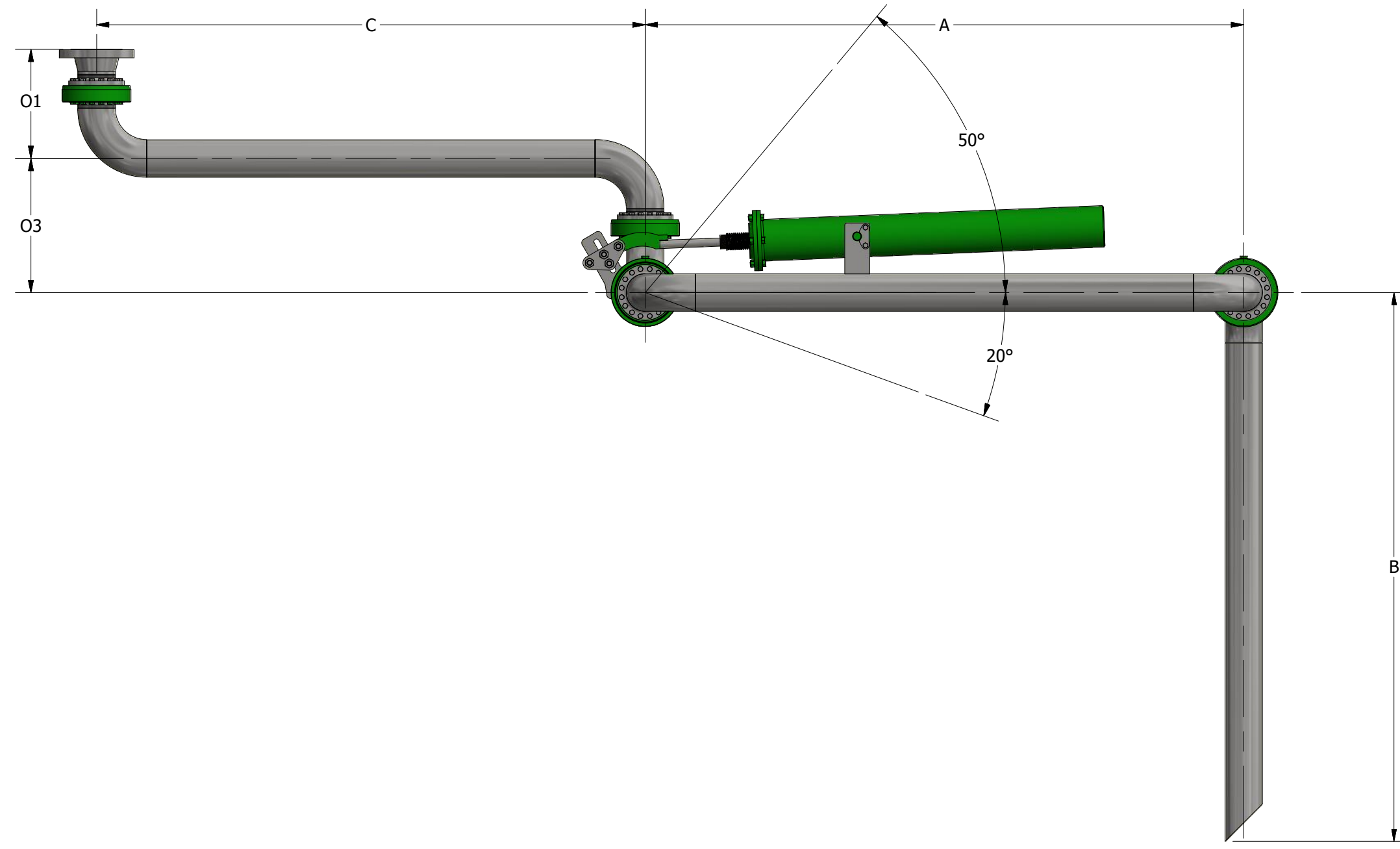
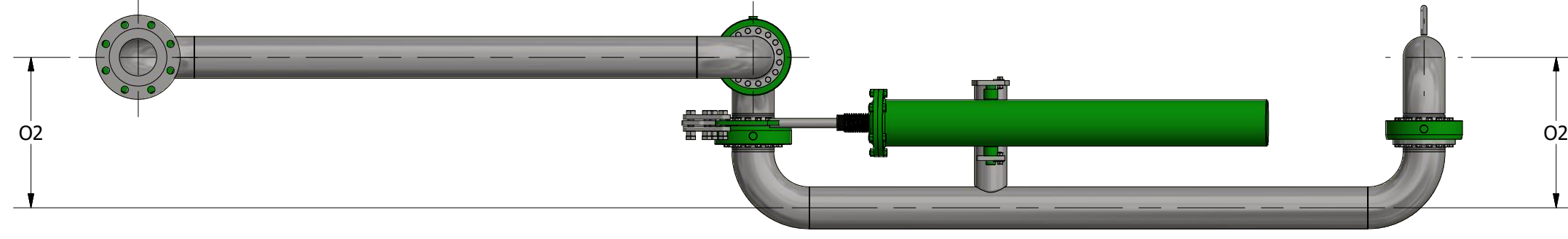


| DIMENSION FOR PIPE AND FLANGE | O1 | O2 | O3 |
|-------------------------------|---------|---------|---------|
| 2" | 9 5/8" | 10 1/8" | 10 1/8" |
| 3" | 11 3/8" | 13 1/8" | 13 1/8" |
| 4" | 13 1/8" | 16 1/8" | 16 1/8" |
| 6" | 19" | 24 1/2" | 24 1/2" |

REFER TO QUOTE
FOR PARTS AND DIMENSIONS



DRAWN
AW
CHECKED
DJW
STATUS

1/11/2018
1/11/2018



QUOTE DRAWING

TITLE
BOOM UNSUPPORTED TOP LOADING ARM

THIS DOCUMENT CONTAINS CONFIDENTIAL AND PROPRIETARY INFORMATION THAT CANNOT BE REPRODUCED OR DIVULGED, IN WHOLE OR IN PART, WITHOUT WRITTEN AUTHORIZATION FROM EXCEL LOADING SYSTEMS

| | | |
|-----------|------------------|----------|
| SIZE C | DWG NO TLB374 | REV - |
| SCALE | SHEET 1 OF 1 | |