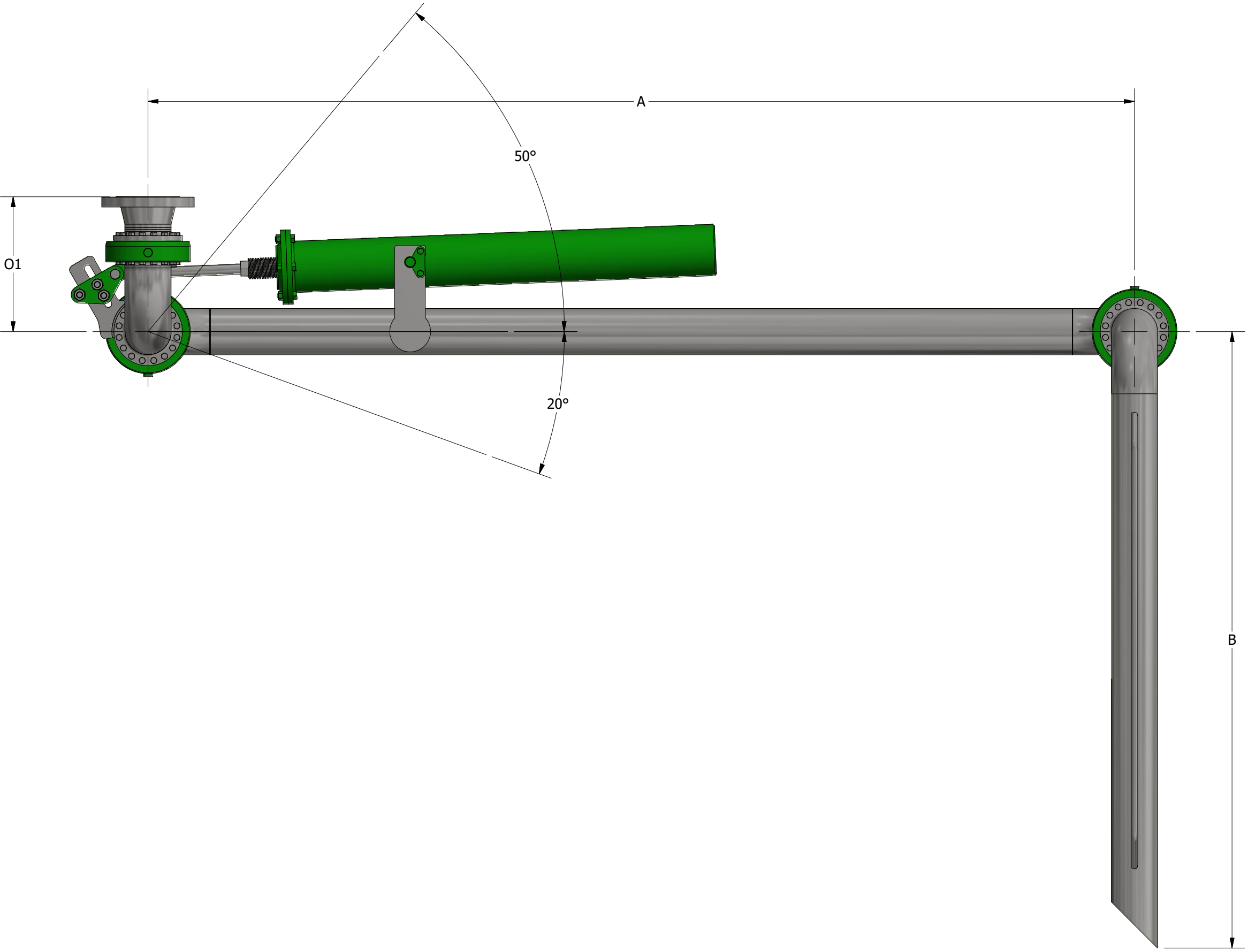
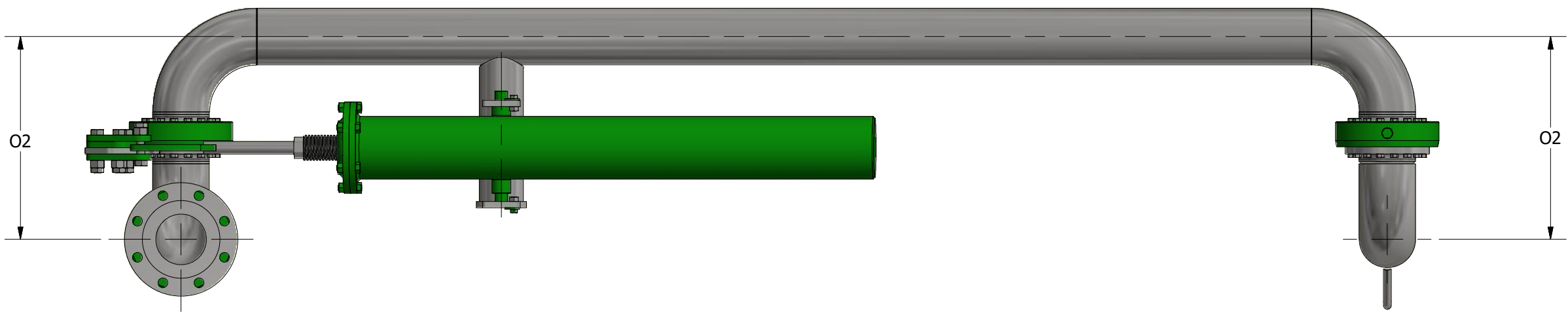
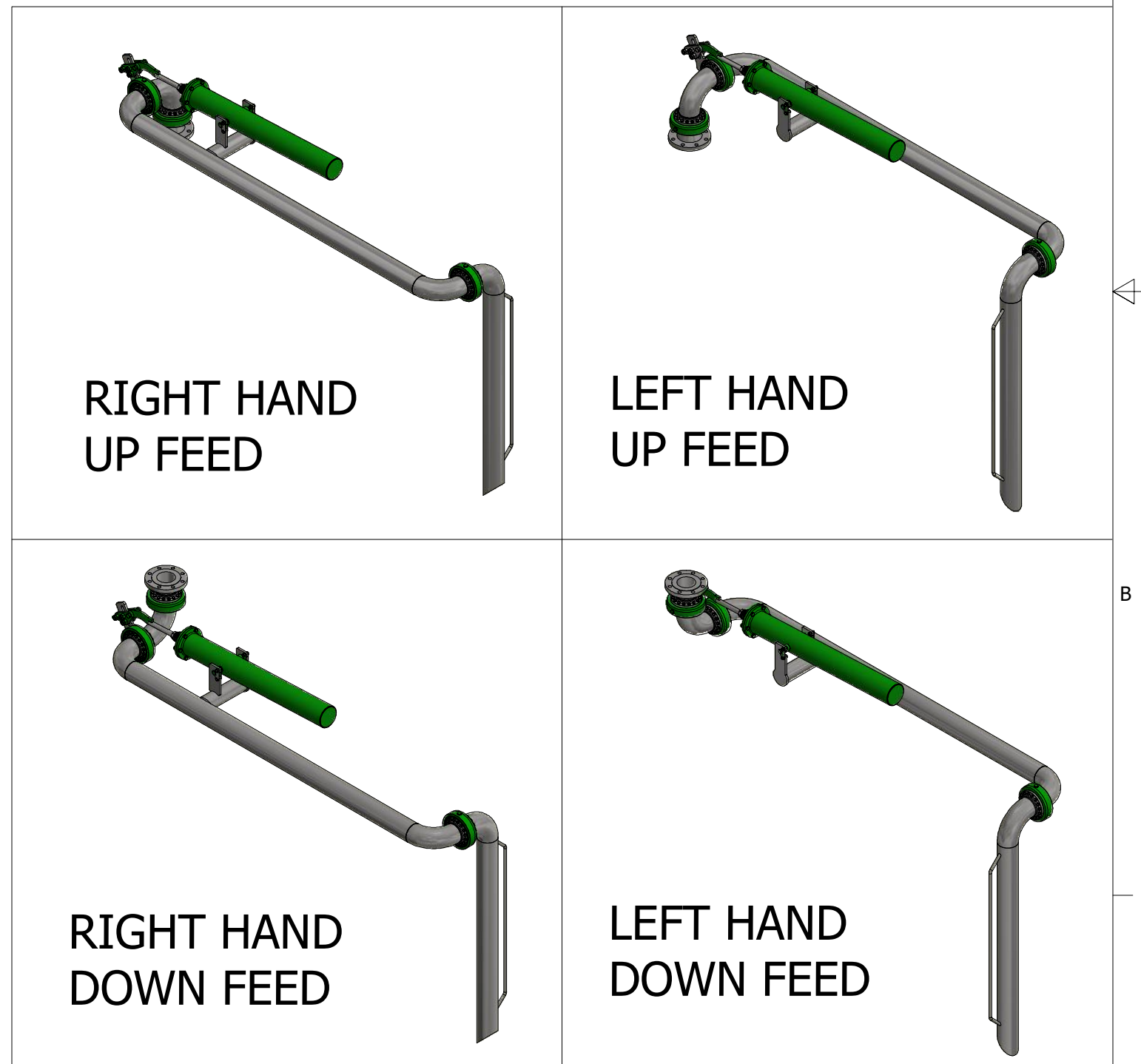


4		
DIMENSION FOR PIPE AND FLANGE	O1	O2
2"	9 5/8"	10 1/8"
3"	11 3/8"	13 1/8"
4"	13 1/8"	16 1/8"
6"	19"	24 1/2"



REFER TO QUOTE
FOR PARTS AND DIMENSIONS



DRAWN
AW
CHECKED
DJW
STATUS

1/11/2018
1/11/2018

QUOTE DRAWING

THIS DOCUMENT CONTAINS CONFIDENTIAL AND PROPRIETARY INFORMATION THAT CANNOT BE REPRODUCED OR DIVULGED, IN WHOLE OR IN PART, WITHOUT WRITTEN AUTHORIZATION FROM EXCEL LOADING SYSTEMS

EXCEL LOADING SYSTEMS

TITLE
FIXED REACH TOP LOADING ARM

SIZE C	DWG NO TL54	REV -
SCALE	SHEET 1 OF 1	