

Standard Dimensions

	A	B
2"	CF	CF
3"	60"	96"
4"	60"	96"

Our A-Frame Bottom Transfer Loading Arm (AF-54) is designed for applications where extended reach is needed if vehicles cannot be accurately spotted for loading.

Standard vertical range of motion for the loading arm is 50° to -10° store around horizontal.

100% Domestic is our standard!

Standard Accessories:

- » XL-1.0 heavy duty swivels
- » Easy to adjust spring cylinder balance
- » Material test reports

Materials of construction:

- » Carbon Steel
- » Carbon/Stainless
- » Carbon/Aluminum

Excel Loading Systems is your sole source for Loading Arms.

FIVE YEAR LIMITED WARRANTY



Bottom Loading Arms



Top Loading Arms



Swivels



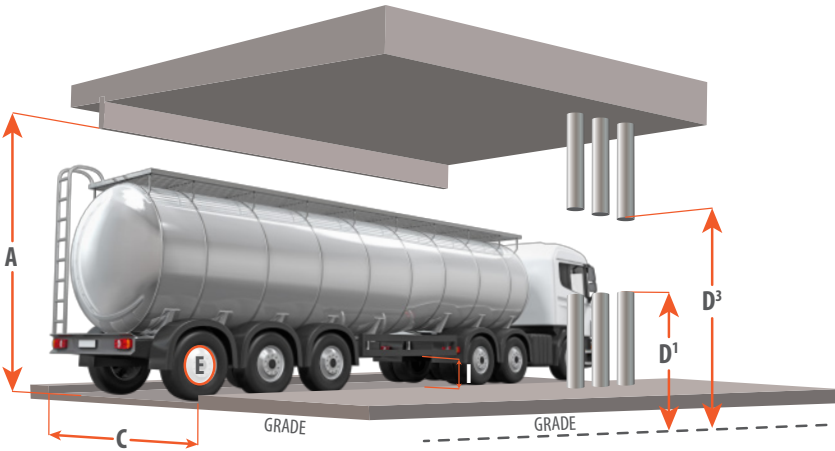
Accessories

Toll Free: 888.959.3167 | Visit us online at ModularAccess.com

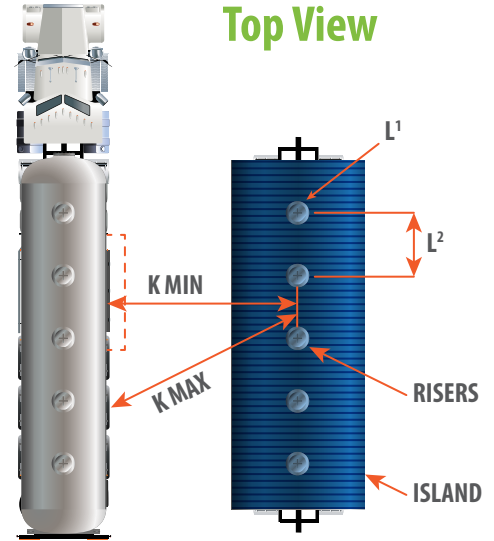
*To Measure
SEE REVERSE SIDE*



End View



Top View



TYPE OF REQUIREMENT

Rack Identification _____ Quantity _____
 Bottom Loading Tank Trucks Rail Cars

MATERIALS TO BE TRANSFERRED

Product to be handled _____ Viscosity _____ SSU
 Temperature _____ F, Concentration (if applicable) _____
 Special Characteristics _____

SIZES & CAPACITIES

Inlet connection type? _____
 Product Pipe Size: 2" 3" 4"
 Max. PSIG _____ Working _____ PSIG
 Flow Rate _____ GPM

DESIRED MATERIALS OF CONSTRUCTION:

1) Metals: Carbon Steel Aluminum 316 Stainless Steel Other
 2) Desired Seals: BUNA VITON® TEFLON® Other

FEATURES

Supply piping will feed from: Below(D1) Side (D2) Above (D3)
 Loading Arms to be Right Hand Left Hand
 Is Shut-off Valve Required? Yes No
 Will Arm Retain Product? Yes No
 Location of valve on arm _____
 Desired Type of Valve _____
 Will Valve be Used to Shut Down Line? Yes No

BOTTOM ACCESSORIES

Drop Hose: Composite (Rackmaster) or Stainless Braided
 API Coupler: Yes No Parking Adapter: Yes No
 LPG – Globe Valve: Yes No Size _____
 LPG – Acme Fitting: Yes No Size _____

WILL ADDITIONAL EQUIPMENT BE ADDED BY OTHERS?

(Specify Weight & Location)
 Electrical Tracing _____ lbs/ft Insulation _____ lbs/ft
 Hose _____
 Valve/Fitting _____
 Other _____
 Other Desired Features: _____

BOTTOM LOADING/UNLOADING

A. Overhead Clearance _____
 C. Lane Width _____
 D¹. Ground Level to Top of Riser _____
 I. Ground Level to CL Tank Connection _____
 K. CL of Riser to Tank Fitting
 Max. _____ Min. _____
 L¹. Number of Risers _____
 L². Distance Between Risers _____
 What Current Metals and Sealing Materials are being used in this application (Pump, Valves and Meters)? _____
 Metals _____
 Seals _____