

Standard Dimensions

	A	B
2"	CF	CF
3"	96"	48"
4"	96"	48"

Our Top Loading Fixed Reach Arm (TL-54) is designed for top loading applications where trucks can be accurately spotted.

Standard vertical range of motion for the loading arm is 50° (*park position*) to -20° (*loading position*).

100% Domestic is our standard!

Standard Accessories:

- » XL-1.0 heavy duty swivels
- » Easy to adjust spring cylinder balance
- » Material test reports

Materials of construction:

- » Carbon Steel
- » Carbon/Stainless
- » Carbon/Aluminum

Excel Loading Systems is your sole source for Loading Arms.

FIVE YEAR LIMITED WARRANTY



Bottom Loading Arms



Top Loading Arms



Swivels



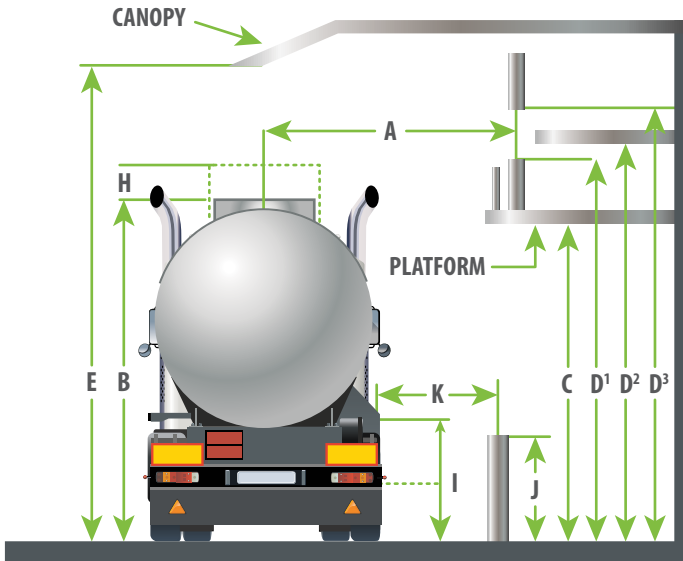
Accessories

Toll Free: 888.959.3167 | Visit us online at ModularAccess.com

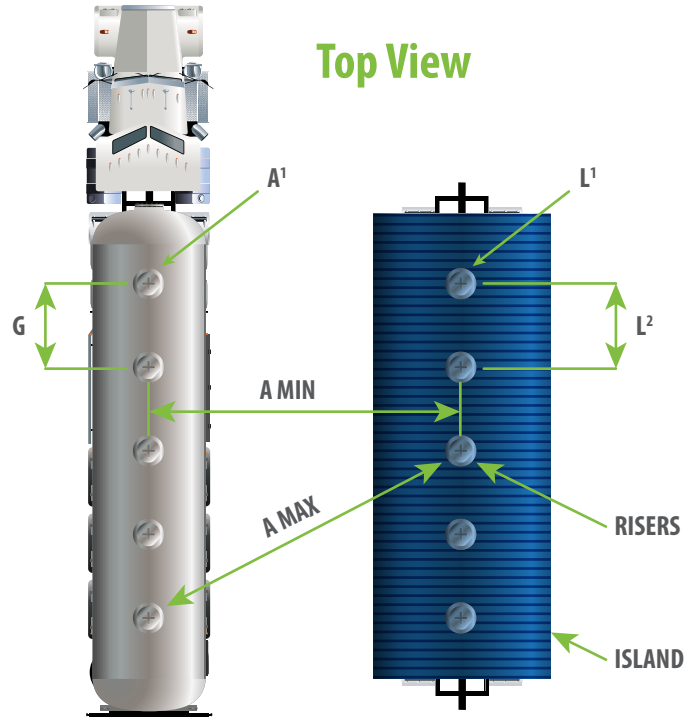
To Measure
SEE REVERSE SIDE



End View



Top View



TYPE OF REQUIREMENT

Rack Identification _____ Quantity _____
 Top Loading Vapor Recovery Tank Trucks Rail Cars
 Will the product be: Splash-loaded Sub-surface or Tight-fill
 If Tight-fill, specify connection _____

MATERIALS TO BE TRANSFERRED

Product to be handled _____ Viscosity _____ SSU
 Temperature _____ F, Concentration (if applicable) _____
 Special Characteristics _____

SIZES & CAPACITIES

Inlet connection type? _____
 Product Pipe Size: 2" 3" 4" Vapor Pipe Size: 1" 2" 3" 4"
 Max. PSIG _____ Working _____ PSIG
 Flow Rate _____ GPM

DESIRED MATERIALS OF CONSTRUCTION:

1) Metals: Carbon Steel Aluminum 316 Stainless Steel Other
 2) Desired Seals: BUNA VITON® TEFLON® Other

FEATURES

Supply piping will feed from: Below(D1) Side (D2) Above (D3)
 Loading Arms to be Right Hand Left Hand
 Is Shut-off Valve Required? Yes No
 Will Arm Retain Product? Yes No
 Location of valve on arm _____
 Desired Type of Valve _____
 Will Valve be Used to Shut Down Line? Yes No

TOP ACCESSORIES

Vapor Recovery Hose: Yes No Vapor Recovery Plate: Yes No
 Level Probe: Yes No Lockdown Device: Yes No
 Parallel Device: Yes No Vacuum Breaker: Yes No
 Operating Handle: Yes No Ground Straps: Yes No

WILL ADDITIONAL EQUIPMENT BE ADDED BY OTHERS?

(Specify Weight & Location)
 Electrical Tracing _____ lbs/ft Insulation _____ lbs/ft
 Hose _____
 Valve/Fitting _____
 Other _____
 Other Desired Features: _____

DIMENSIONAL DATA: TOP LOADING/UNLOADING

A. CL of Riser to CL of Tank Opening: Max. _____ Min. _____
 A¹. Number of Openings _____
 B. Ground Level of Top of Tank _____ Min _____ Max _____
 C. Ground Level to Top of Platform _____
 D. Ground Level to Riser _____
 Riser Configuration: 1 2 3
 E. Ground Level to Overhead Obstruction _____
 H. Top of Tank to Top of Safety Rail _____
 L1. Number of Risers _____
 L2. Distance Between Risers _____
 G. Distance Between Openings _____

Toll Free: 888.959.3167
 Visit us online at ModularAccess.com